



REFERENCE	NI_2013_X98CUP_09_UK&FR
DATE	2013 December 16th
SUBJECT	Clio Cup realignment

CONCERNED: ALL customer except 2013 EURCOUP cars.

Renault Sport Technologies want to inform you about latest Clio Cup evolutions. As you know, Clio Cup built in 2013 haven't all the evolution indicated on Technical Bulletins n°11/12/13. To realign all cars, a package will be sent via your promoters at the beginning of February 2014. Promoters will contact you soon to arrange delivery.

Please find below the kit composition:

1. Intercooler spray kit

⇒ See Technical Bulletin n°12

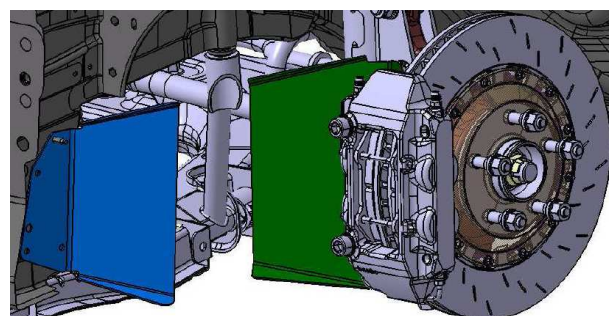
Inlet air temperature regulation to keep the same engine performance whatever the race condition. (Ambient air temperature, race traffic, ect...)



2. Brake cooling kit

⇒ See Technical Bulletin n°11

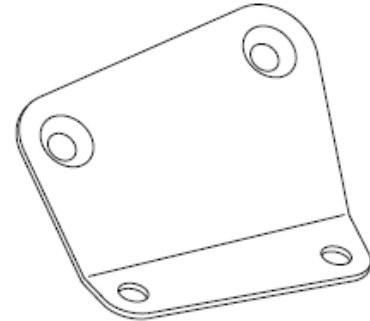
Fresh air supplying to new brake system, useful in extreme conditions



3. Reinforcement wiper motor kit

⇒ Mounting will be specified in a future technical bulletin.

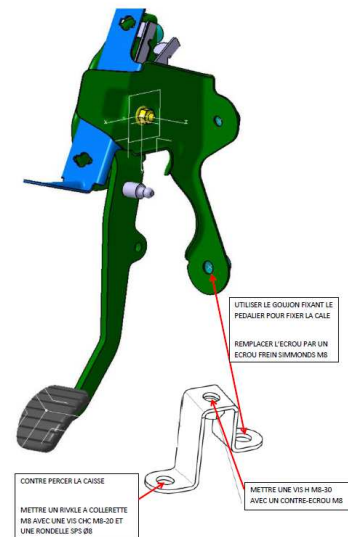
Reduce vibration to eliminate the possibility of wiper motor bracket failure.



4. Clutch pedal stop

⇒ See Technical Bulletin n°11

Avoid damage to clutch mechanism.



5. Additional fuel pump*

⇒ See Technical Bulletin n°13

Avoid fuel surge issue with a lot of fuel.

**RST is currently trying simpler solution. If a better solution is validated before the end of January, the content of kit will change.*

