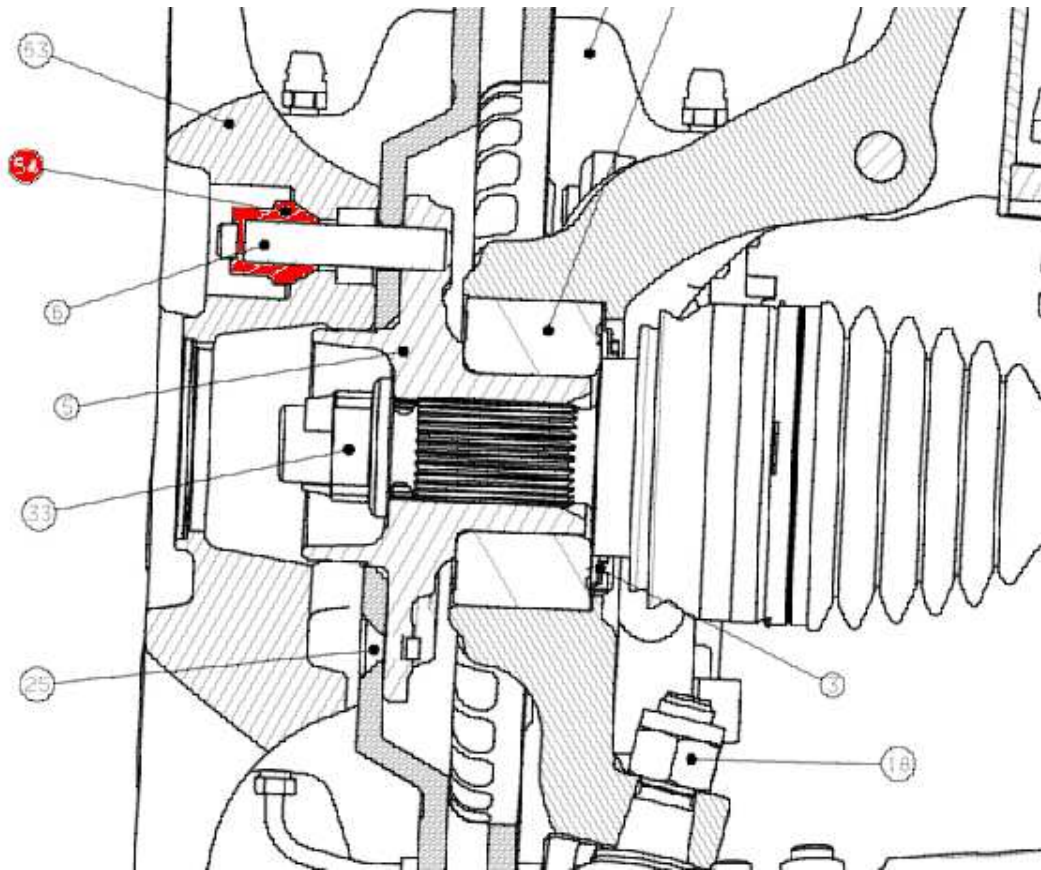


REFERENCE	BT_2014_X98CUP_03_UK_b
DATE	2014 April 18th
SUBJECT	Wheel nuts tightening torque

**CONCERNED: All Car**

Cancel and replace BT\_2014\_X98CUP\_03\_UK given at Nogaro on 18<sup>th</sup> April (Clio Cup France).

Renault Sport Technologies wants to inform you about the tightening torque of wheel nuts reference 77 11 167 254. We ask you to tight at **120N.m** instead of **100N.m** previously (Front and Rear).



54	WHEEL NUT M12x150-25	7711167254	10	100-N.m <b>120N.m</b>	<b>Copper Grease</b>
----	----------------------	------------	----	--------------------------	----------------------

Renault Sport Technologies  
Racing Technical Dpt.